



DG series

Ø 10 mm miniaturized through-beam sensors DG series



Cylindrical
Ø 10 mm



features

- Ø 10 mm plastic housing 41 mm length
- Ø 13 mm hole irreversible spring latch fixing
- LED status indicator receiver only
- Complete protection against electrical damages
- IP67 protection degree
- Nominal sensing distance (Sn): 2 m ExG. = 4
- Supply voltage 15...37 Vdc (10...30 Vdc for EA version)
- Approvals: CE

web contents



- Application notes
- Photos
- Catalogue / Manuals



code description

DG E / L N - 3 A

series	DG	Miniaturized photoelectric sensor DG series
emitter / receiver	E	Emitter
	R	Receiver
emitter / receiver output	1	Emitter
	L	Receiver Light ON
	D	Receiver Dark ON
function	1	Emitter
	N	NPN logic receiver
	P	PNP logic receiver
housing	3	Housing Ø 10 mm with spring latch fixing for Ø 13 mm hole
cable	A	5 m cable length
	D	7 m cable length
version	EA	Special version with 10...30 Vdc supply voltage
		Standard version



available models

model	distance (m)	supply voltage	cable (m)	PNP NO	NPN NO	PNP NC	NPN NC
emitter	-	15...37 Vdc	5	DGE/11-3A			
			7	DGE/11-3D			
		10...30 Vdc	5	DGE/11-3AEA			
			7	DGE/11-3DEA			
receiver	2	15...37 Vdc	5	DGR/DP-3A	DGR/LP-3A	DGR/DN-3A	DGR/LN-3A
			7	DGR/DP-3D	DGR/LP-3D	DGR/DN-3D	DGR/LN-3D
		10...30 Vdc	5	DGR/DP-3AEA	-	-	-
			7	DGR/DP-3DEA	-	-	-

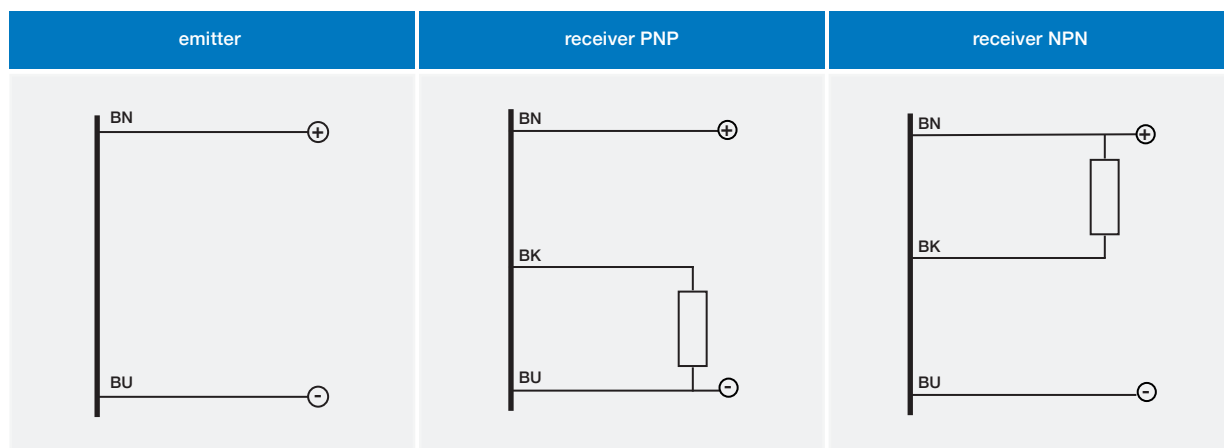
technical specification

through-beam models

	DGE/11-**	DGR/**-**	DG**/**-**EA
nominal sensing distance	2 m (EG = 4)		
emission	infrared (880 nm)	-	-
supply operating voltage	15...37 Vdc		10...30 Vdc
ripple	10 %		
no-load supply current	≤ 10 mA		
load output current	-	30 mA	
leakage current	-	10 µA	
output voltage drop	-	2 V with = 30 mA	
output type	-	NPN or PNP LO or DO	
switching frequency	-	40 Hz	
power on delay	-	100 ms	
power supply protections	polarity reversal, pulse overvoltage		
EMC	in conformity with the EMC Directive according to EN 60947-5-2		
output protection	-	short circuit	
operating temperature range	- 25°C...+ 70°C		
temperature drift	≤ 10 %		
protection degree	IP67 (EN60529) ⁽¹⁾		
external light interference	-	20,000 lux	
LEDs	supply	output status	
housing material	PC		

⁽¹⁾ Protection guaranteed only with plug cable well mounted

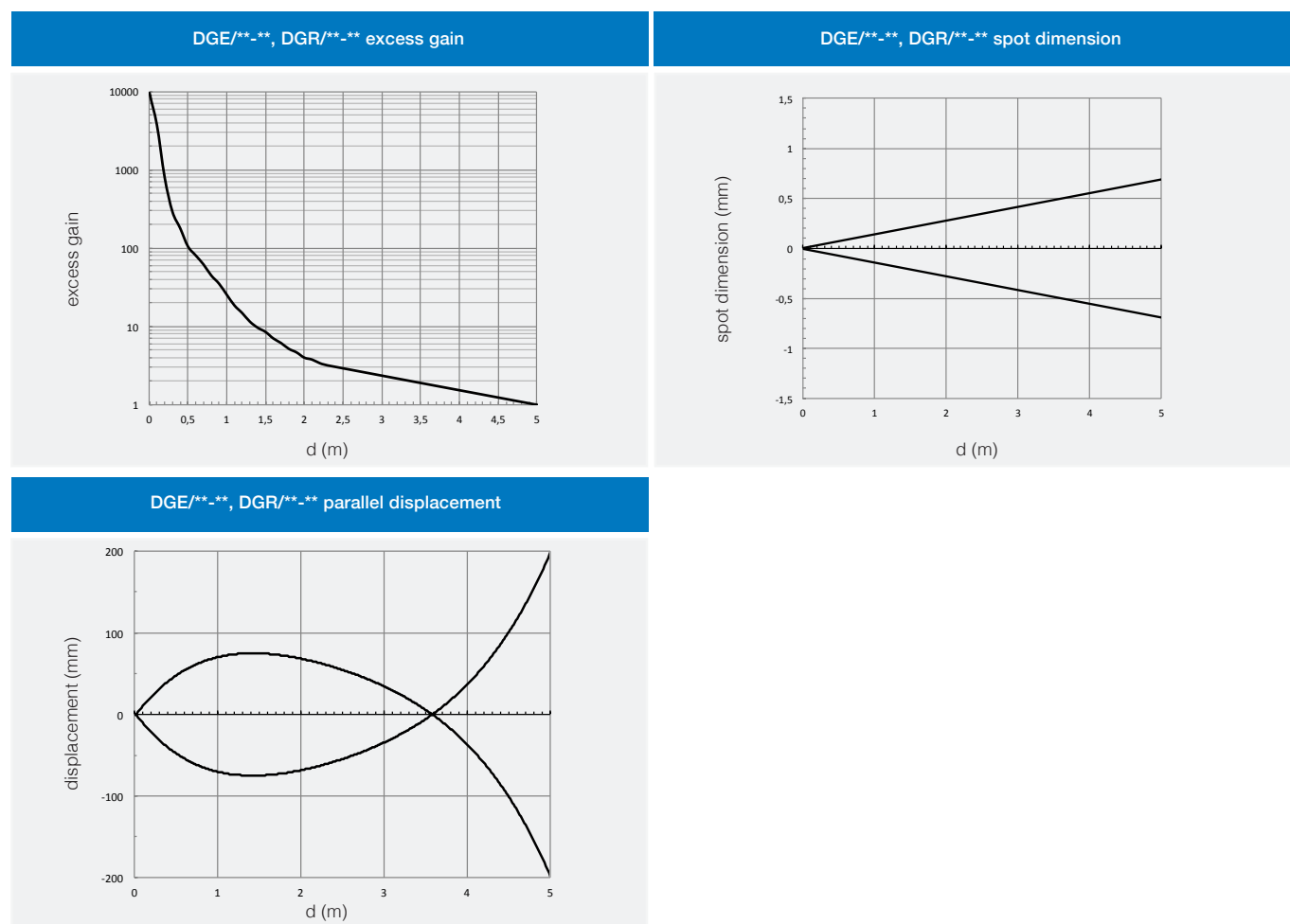
electrical diagrams of the connections



- BN brown
- BU blue
- BK black
- WH white
- PK pink
- GY gray

Cylindrical
Ø 10 mm

response diagram





DG*/**-*

